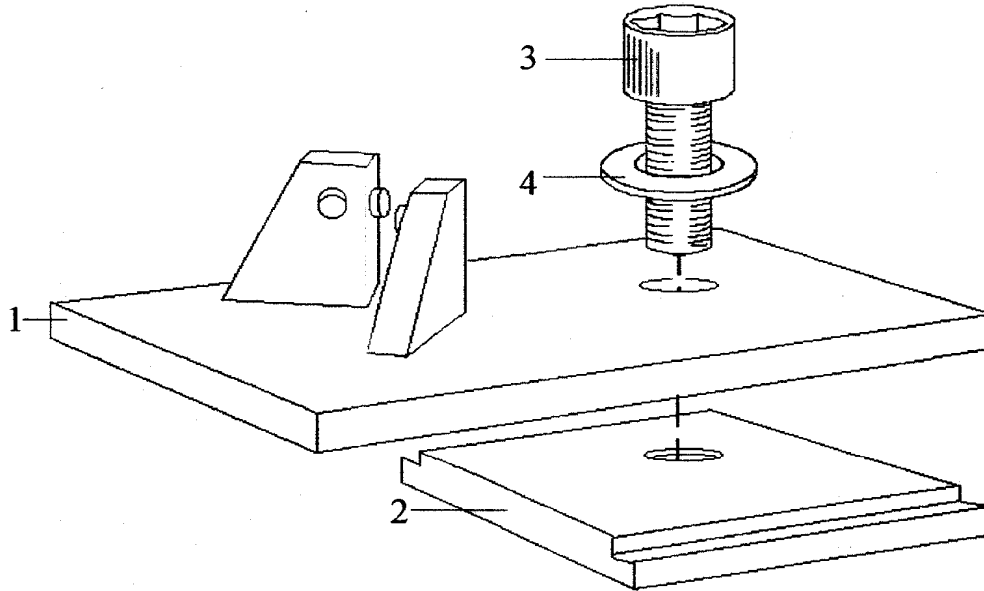




Date: 13-03-2003

D-15 Chain holder



Position	Quantity	Article number	Discription
		D-15	Chain holder
1	1	D-1510	Plate
2	1	D-1511	Plate
3	1	S-1070	Screw
4	1	S-4021	Washer

